

W-8940 Tire Changer Parts Manual

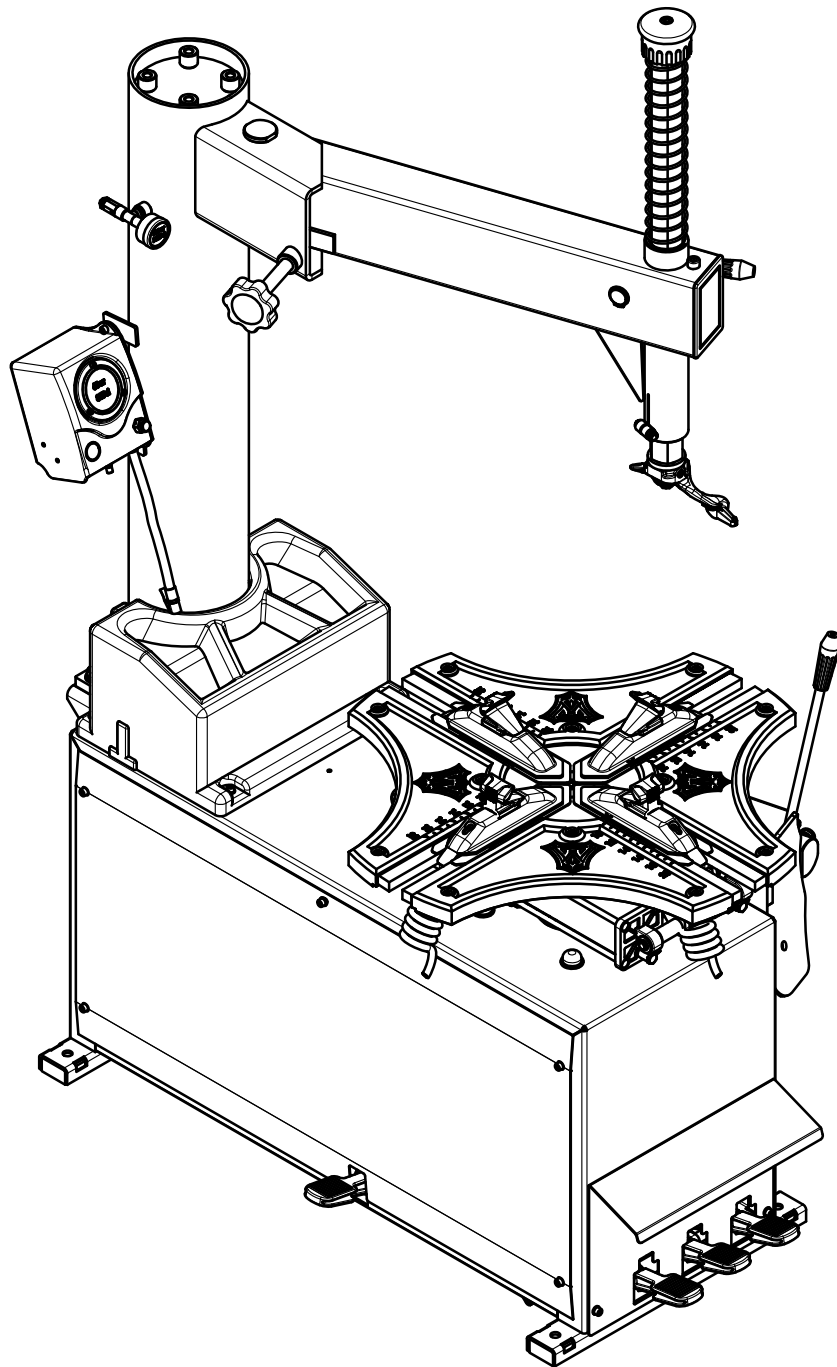


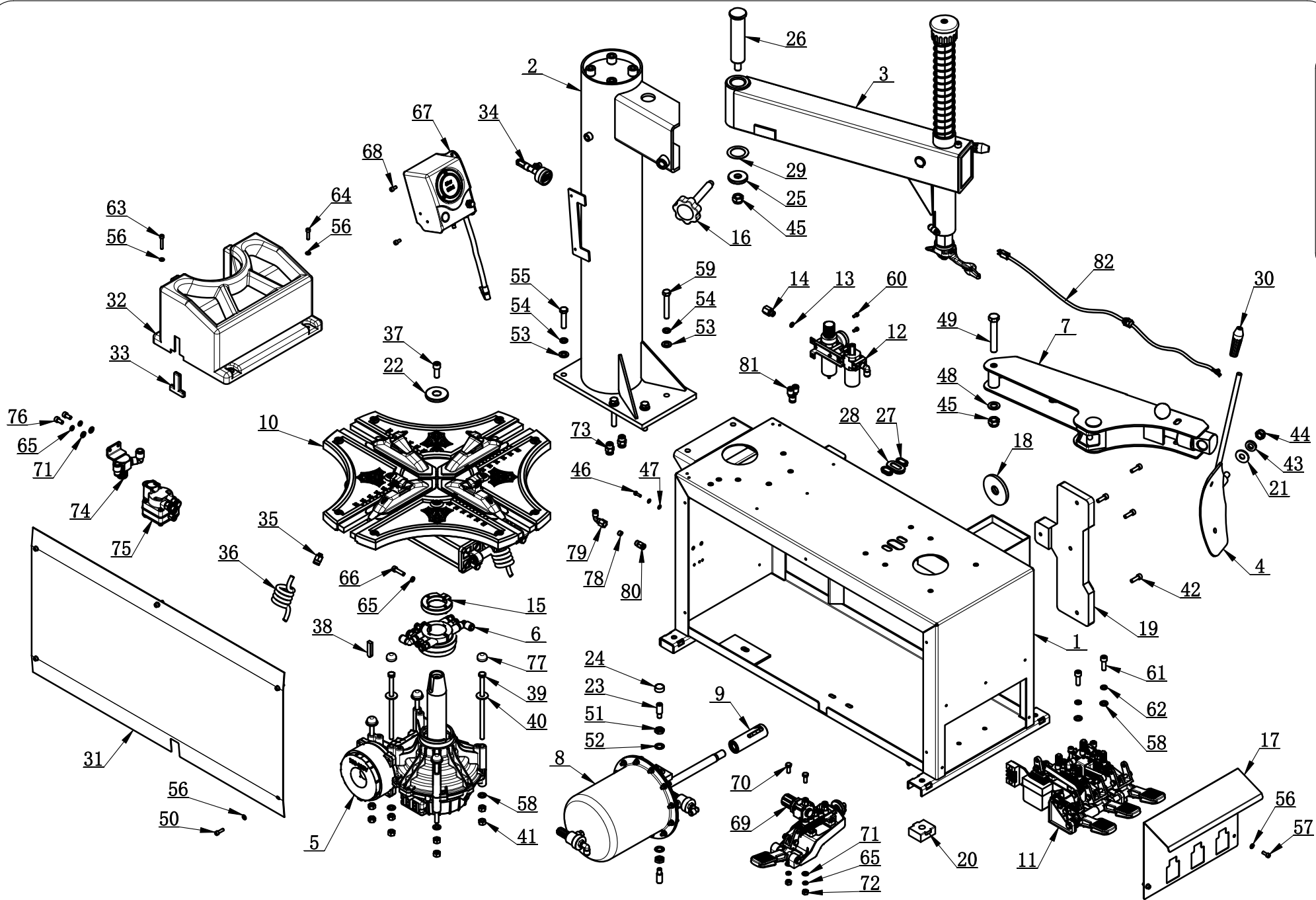
WEAVER

E Q U I P M E N T

Please read this manual before operation

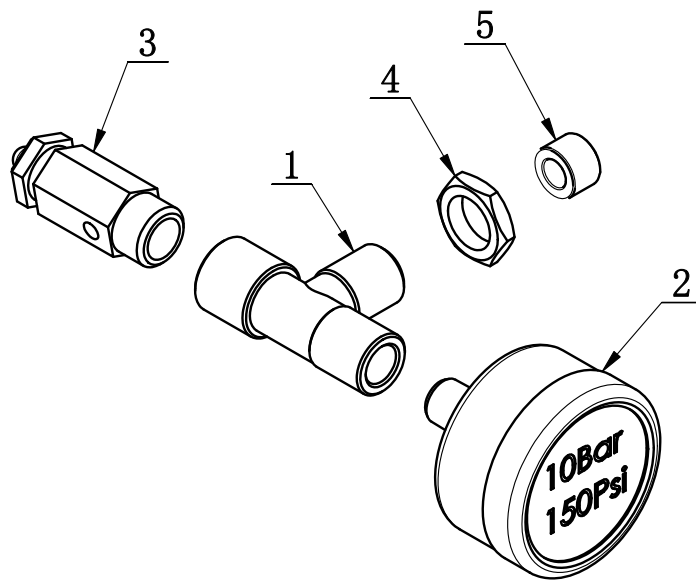
W-8940 Parts Manual





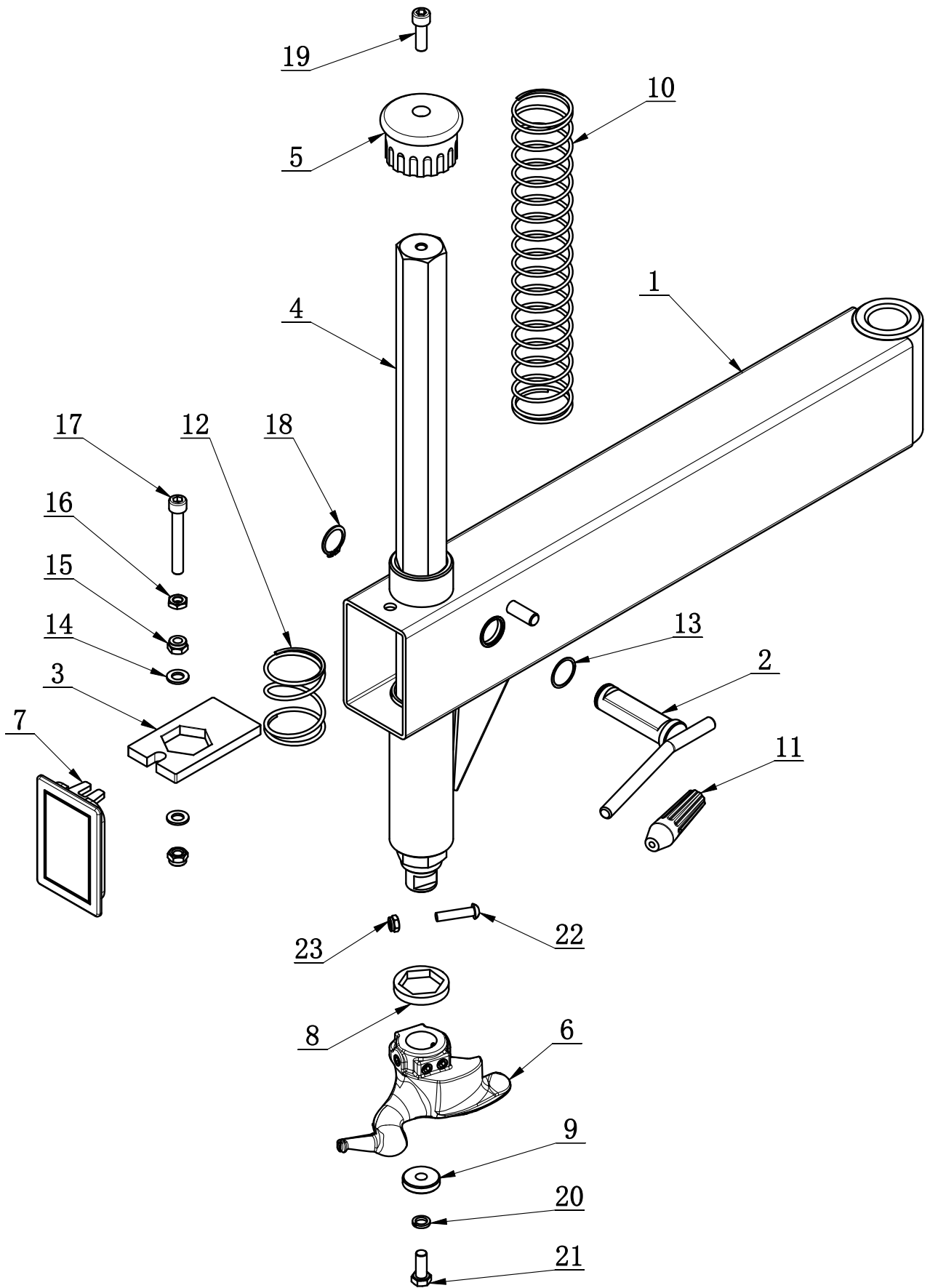
ITEM	PART. No	DESCRIPTION.	QT. Y
1	C-5B-1100000N	BODY	1
2	C-5B-1200000	VERTICAL COLUMN	1
3	C-54-1300000	SWING ARM	1
4	CT-C-2100000	BEAD BREAKER BLADE	1
5	CT-JM-2100000	MOTOR GEARBOX ASSEMBLY (100-130V)	1
6	CT-Q-4000000	ROTATING UNION	1
7	CT-B-C000000	BEAD BREAKER ARM ASSEMBLY	1
8	CT-LS-8300000	BEAD BREAKER CYLINDER ASSEMBLY	1
9	C-5B-1400000	LIMIT SET	1
10	CT-Y-2P00000	TURNTABLE ASSEMBLY	1
11	CT-D-9100000B	PEDAL ASSEMBLY	1
12	CT-F-3121100	AIR REGULATOR ASSEMBLY	1
13	GB3452. 1-8×2. 65-A	HYDRAULIC-PNEUMATIC RUBBER O-RING A TYPE	1
14	C-54-8000028	CONNECTOR	1
15	CT-Q-6000000	CLAMP RING	1
16	C-54-1400000	HANDLE WHEEL	1
17	C-42-1000004	PROTECTIVE COVER	1
18	C-54-1000016	RUBBER WASHER	1
19	C-54-1000006	RUBBER PAD PLATE	1
20	C-54-1000005	RUBBER FOOT	4
21	C-54-1000002	WASHER	1
22	C-54-1000012	PRESS COVER	1
23	C-54-1000010	SCREWS M14×42	2
24	C-54-1000013	SEALED COVER	1
25	C-54-1000009	SHAFT WASHER	1
26	C-54-1000008	VERTICAL SHAFT	1
27	C-54-1000022	PLUG C	2
28	C-54-1000028	PLUG B	1
29	C-54-1000032	ADJUSTING WASHER	1
30	TC-40-1200022	RUBBER COVER	1
31	C-54-1000001	SIDE PANEL	1
32	C-54-1000018	TOOL BOX	1
33	C-54-1000020	T-PLUG	1
34	C-54-0002000	PRESSURE GAUGE ASSEMBLY	1
35	FPC 10-01	MALE STRAIGHT	4
36	C-54-1000029	PU SPIRAL TUBE	4
37	GB70. 1-M12×30	INNER HEXA CYLINDRICAL SCREW	1
38	GB1096-C12×8×45	COMMON FLAT KEY	1
39	GB5782-M10×200-8. 8	BOLT M10×200	6
40	GB96. 1-10	LARGE WASHER A GRADE	6
41	GB41-M10	HEXANGULAR NUT	12

ITEM	PART. No	DESCRIPTION.	QT. Y
42	GB70. 1-M8×25	INNER HEXA CYLINDRICAL SCREW	4
43	GB955-14	WAVE-FORM SPRING WASHER	1
44	GB889. 1-M14	1-TYPE PREVAILING TORQUE TYPE HEXAGON LOCK NUT	1
45	GB889. 1-M16	1-TYPE PREVAILING TORQUE TYPE HEXAGON LOCK NUT	2
46	GB5783-M5×16	HEXANGULAR BOLT	1
47	GB95-5	FLAT WASHER	2
48	GB95-16	WASHER	1
49	GB5782-M16×100	HEXANGULAR BOLT	1
50	GB70. 1-M6×20	INNER HEXA CYLINDRICAL SCREW	5
51	GB6172. 1-M14	HEXANGULAR THIN NUT	2
52	GB861. 1-14	INNER TOOTH LOCK WAHSER	2
53	GB95-12	FLAT WASHER	6
54	GB93-12	STANDARD SPRING WASHER	6
55	GB5783-M12×50	HEXANGULAR BOLT	2
56	GB95-6	FLAT WASHER	14
57	GB70. 1-M6×16	INNER HEXA CYLINDRICAL SCREW	5
58	GB95-10	FLAT WASHER	8
59	GB5782-M12×75	HEXANGULAR BOLT	4
60	GB70. 1-M5×10	INNER HEXA CYLINDRICAL SCREW	2
61	GB70. 1-M10×30	INNER HEXA CYLINDRICAL SCREW	2
62	GB93-10	STANDARD SPRING WASHER	2
63	GB70. 1-M6×35	INNER HEXA CYLINDRICAL SCREW	2
64	GB70. 1-M6×25	INNER HEXA CYLINDRICAL SCREW	2
65	GB93-8	STANDARD SPRING WASHER	5
66	GB70. 1-M8×30	INNER HEXA CYLINDRICAL SCREW	1
67	CT-K-3100000	INFLATOR COVER ASSEMBLY	1
68	GB70. 1-M6×12	INNER HEXA CYLINDRICAL SCREW	2
69	CT-K-1C00000	INFLATION PEDAL ASSEMBLY	1
70	GB5783-M8×20	HEXANGULAR BOLT	2
71	GB95-8	FLAT WASHER	4
72	GB41-M8	HEXANGULAR NUT	2
73	FPC 12-03	MALE STRAIGHT	2
74	C-54-1000014S	VALVE CONNECTOR ASSEMBLY	1
75	CT-K-2200000S	QUICK EXHAUST VALVE ASSEMBLY	1
76	GB70. 1-M8×16	INNER HEXA CYLINDRICAL SCREW	2
77	C-01-1000006	COVER CAP	6
78	C-54-1000027	JOINT SEALING GASKET	1
79	FPLF 8-02	FEMALE ELBOW	1
80	FPC 8-02	MALE STRAIGHT	1
81	FPY-8	Y-SHAPE INSERT FITTING Φ8	1
82	CT-E-US00333	CABLE(1P)	1



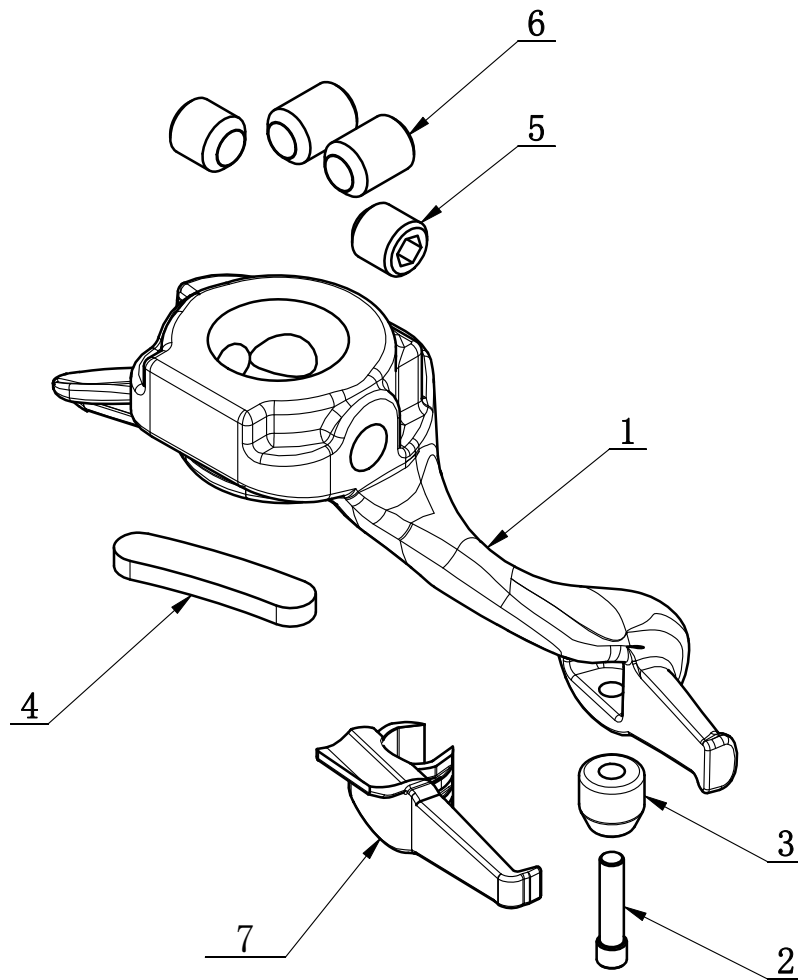
ITEM	PART. No	DESCRIPTION.	QT. Y
1	PBH 1 / 4-1 / 8	FAMALE BRANCH TEE	1
2	C-54-1000024	PRESSURE GAUGE	1
3	CT-K-4100001	SAFE VALVE	1
4	C-54-1000025	LOCKNUT	1
5	C-54-1000027	JOINT SEALING GASKET	1

C-54-1300000

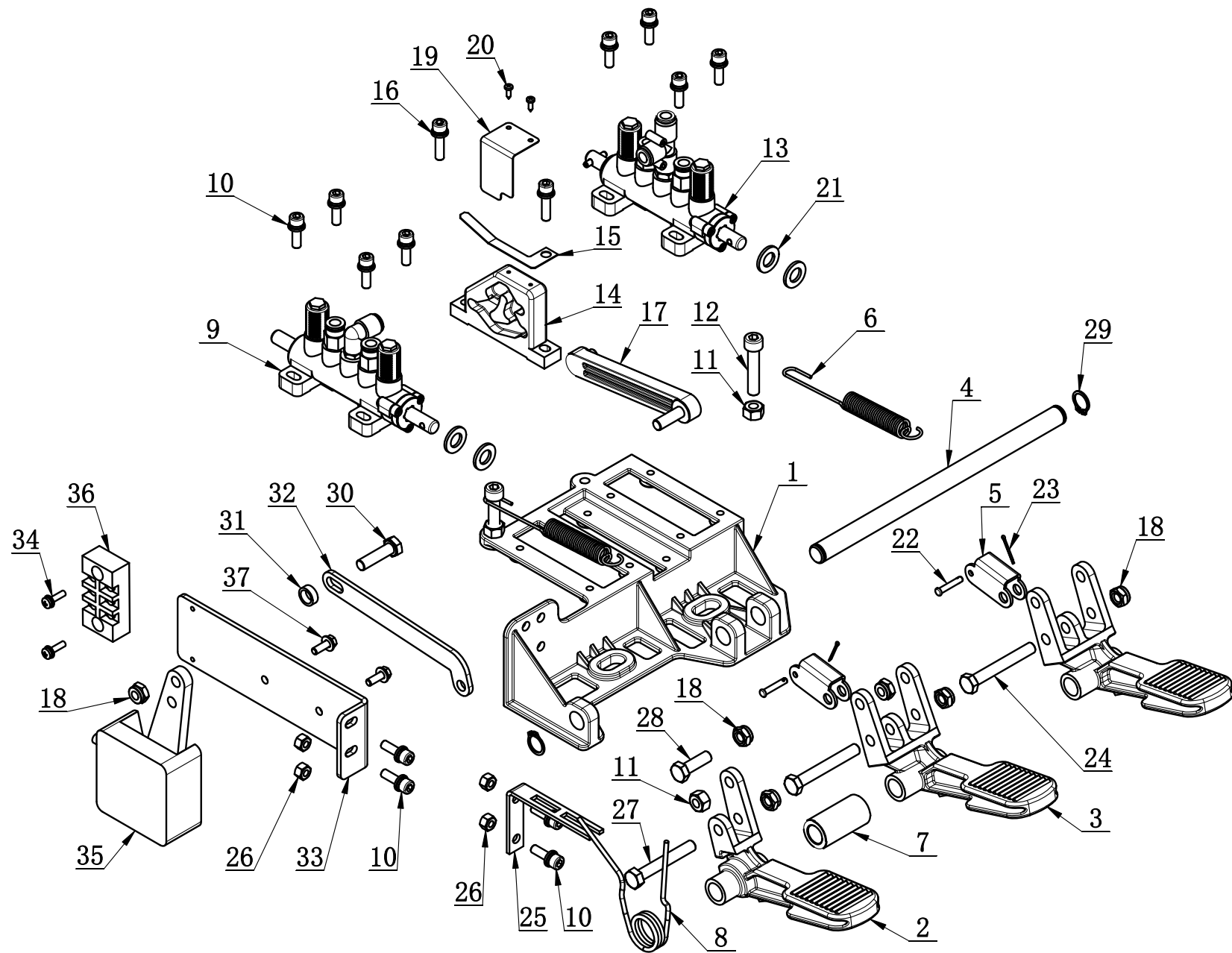


C-54-1300000

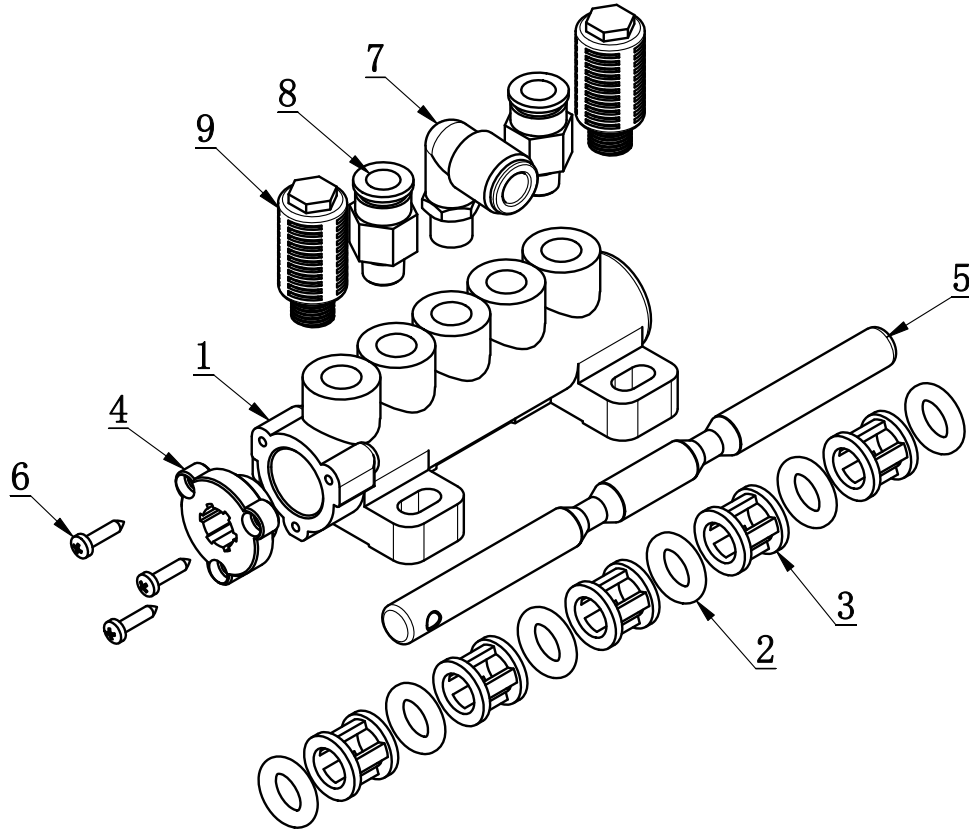
ITEM	PART. No	DESCRIPTION.	QT. Y
1	C-54-1310000	SWING ARM	1
2	C-54-1320000	LOCK HANDLE	1
3	C-54-1300001	HEXAGON LOCK PLATE	1
4	C-54-1300002	HEXAGON SHAFT	1
5	C-54-1300003	VERTICAL SHAFT COVER	1
6	C-54-0001000	DEMOUNTING HEAD ASSEMBLY	1
7	C-54-1300005	DECORATING COVER	1
8	C-54-1300007	SHOCK ABSORBER WASHER	1
9	C-54-1300008	PRESS WASHER	1
10	C-54-1300010	VERTICAL SHAFT SPRING	1
11	TC-40-1200022	RUBBER COVER	1
12	C-54-1300012	VERTICAL SHAFT SPRING	1
13	C-54-1300013	ADJUSTING WASHER	4
14	GB95-10	FLAT WASHER	2
15	GB889. 1-M10	1-TYPE PREVAILING TORQUE TYPE HEXAGON LOCK NUT	2
16	GB6172. 1-M10	HEXANGULAR THIN NUT	1
17	GB70. 1-M10×70	INNER HEXA CYLINDRICAL SCREW	1
18	GB894. 1-25	SHAFT ELATIC BIG RETAINING RING A-TYPE	1
19	GB70. 1-M10×30	INNER HEXA CYLINDRICAL SCREW	1
20	GB93-10	STANDARD SPRING WASHER	1
21	GB5783-M10×25-12. 9	HEXANGULAR BOLT	1
22	GB70. 2-M8×35	INNER HEXA CYLINDRICAL ROUND HEAD SCREW	1
23	GB889. 1-M8	1-TYPE PREVAILING TORQUE TYPE HEXAGON LOCK NUT	1



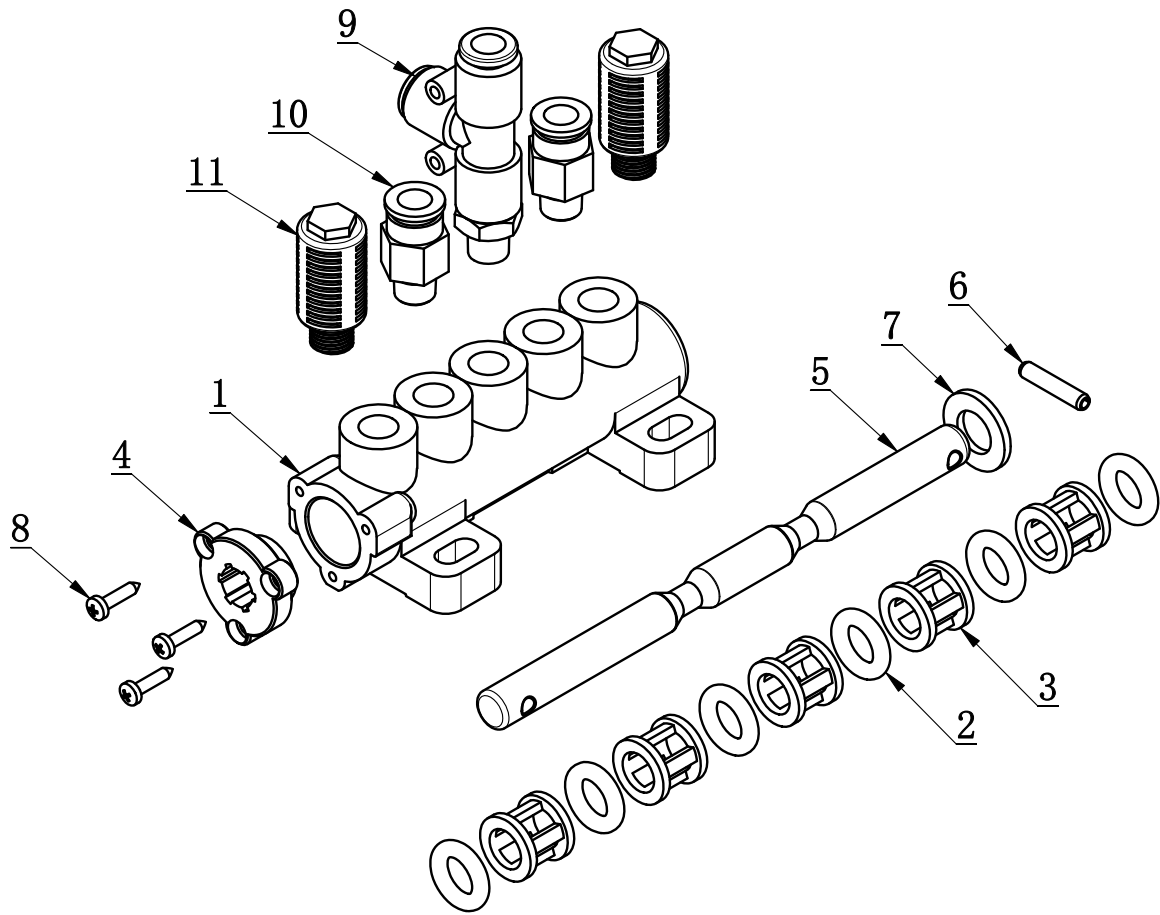
ITEM	PART. No	DESCRIPTION.	QT. Y
1	C-54-1300004	DEMOUNTING HEAD	1
2	C-54-1300006	ROLLER BOLT	1
3	C-54-1300009	ROLLER	1
4	C-54-8000007	TOOL HEAF TAIL WASHER	1
5	GB80-M12×12	INNER HEXA RECESSED TERMINUS SET SCREW	2
6	GB80-M12×16	INNER HEXA RECESSED TERMINUS SET SCREW	2
7	C-54-1300014	SHEATH	1



ITEM	PART. No	DESCRIPTION.	QT. Y
1	CT-D-5100001	PEDAL BRACKET	1
2	CT-D-9100001	PEDAL	1
3	CT-D-9100002	PEDAL	2
4	CT-D-5100004	BOTTOM SHAFT	1
5	CT-D-5100005	CONNECTION PART	2
6	CT-D-5100007	SPRING	2
7	CT-D-2100001	SPACER	1
8	CT-D-2100002	TORSION SPRING	1
9	CT-D-0012000	VALVE	1
10	GB9074-M6×20	COMBINATION SCREW	12
11	GB41-M8	HEXANGULAR NUT	3
12	GB70. 1-M8×40	INNER HEXA CYLINDRICAL SCREW	2
13	CT-D-0010000	VALVE	1
14	CT-D-1100009B	CAM	1
15	CT-D-2100004	FORK SPRING PLATE	1
16	GB9074-M6×25	COMBINATION SCREW	2
17	CT-D-1100008	CAM CONNECTING ROD	1
18	GB889. 1-M8	1-TYPE PREVAILING TORQUE TYPE HEXAGON LOCK NUT	6
19	CT-D-1100011A	CAM BAFFLE PLATE	1
20	GB845-ST2. 9×9. 5 H C	CROSS PANHEAD TAPPING SCREW	2
21	GB95-10	FLAT WASHER	4
22	GB882-4×22	PIN SHAFT	2
23	GB91-1. 6×16	SLOTTED PIN	2
24	GB5783-M8×60	HEXANGULAR BOLT	2
25	CT-D-2100010	TORSION SPRING BRACKET	1
26	GB41-M6	HEXANGULAR NUT	4
27	GB5782-M8×55	HEXANGULAR BOLT	1
28	GB5783-M8×25	HEXANGULAR BOLT	1
29	GB894. 1-14	SHAFT ELATIC BIG RETAINING RING A-TYPE	2
30	GB5783-M8×30	HEXANGULAR BOLT	1
31	CT-D-2100005	SPACER	1
32	CT-D-5100014	CONNECTING PLATE	1
33	CT-D-5100013	BARCKET PLATE	1
34	GB9074. 4-M4×16	COMBINATION SCREW	2
35	CT-JM-1100001	CONTROLLER	1
36	CT-JM-1100002	WIRING BLOCK	1
37	GB9074. 13-M5×16	COMBINATION SCREW	2

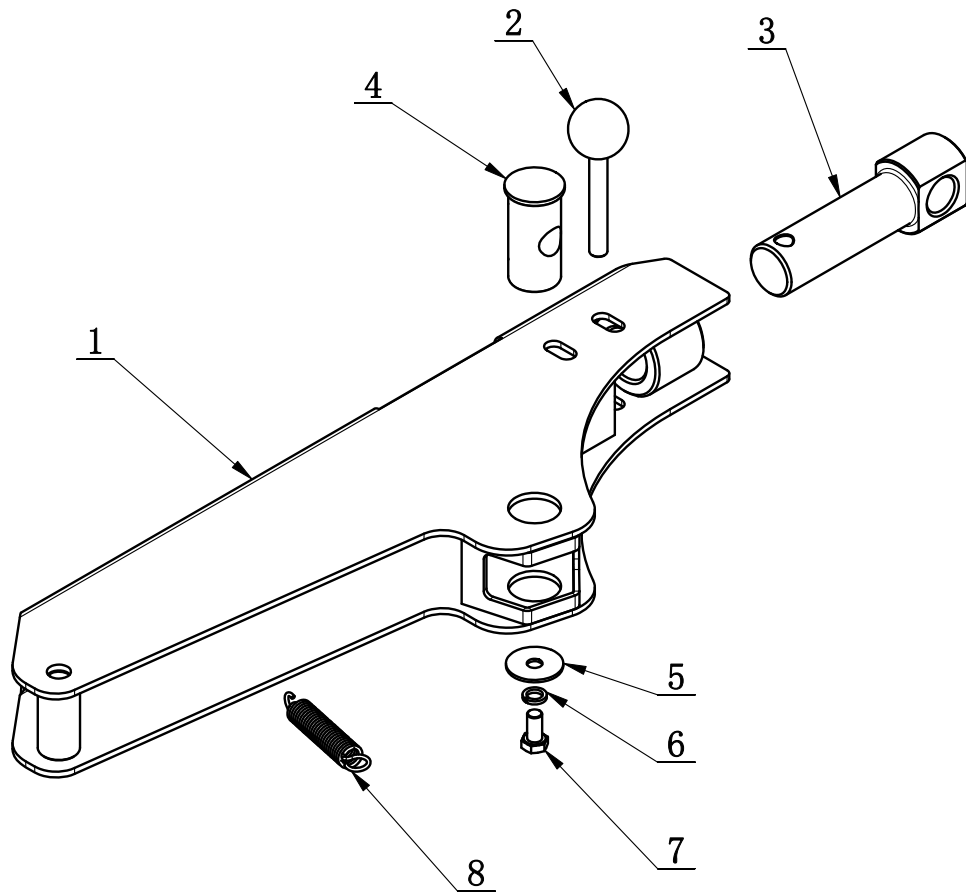


ITEM	PART. No	DESCRIPTION.	QT. Y
1	CT-D-1110001	VALVE BODY	1
2	CT-D-1110003	O-RING	6
3	CT-D-1110004	SPACER	5
4	CT-D-1110005	VALVE CAP	1
5	CT-D-2600003	VALVE ROD	1
6	GB845-ST2.9×13 H C	CROSS PANHEAD TAPPING SCREW	3
7	FPL 8-01	INSERT ELBOW Φ8, R1/8	1
8	FPC 8-01	MALE STRAIGHT	2
9	FSK 01	PLASTIC PARTICLE SILENCER	2



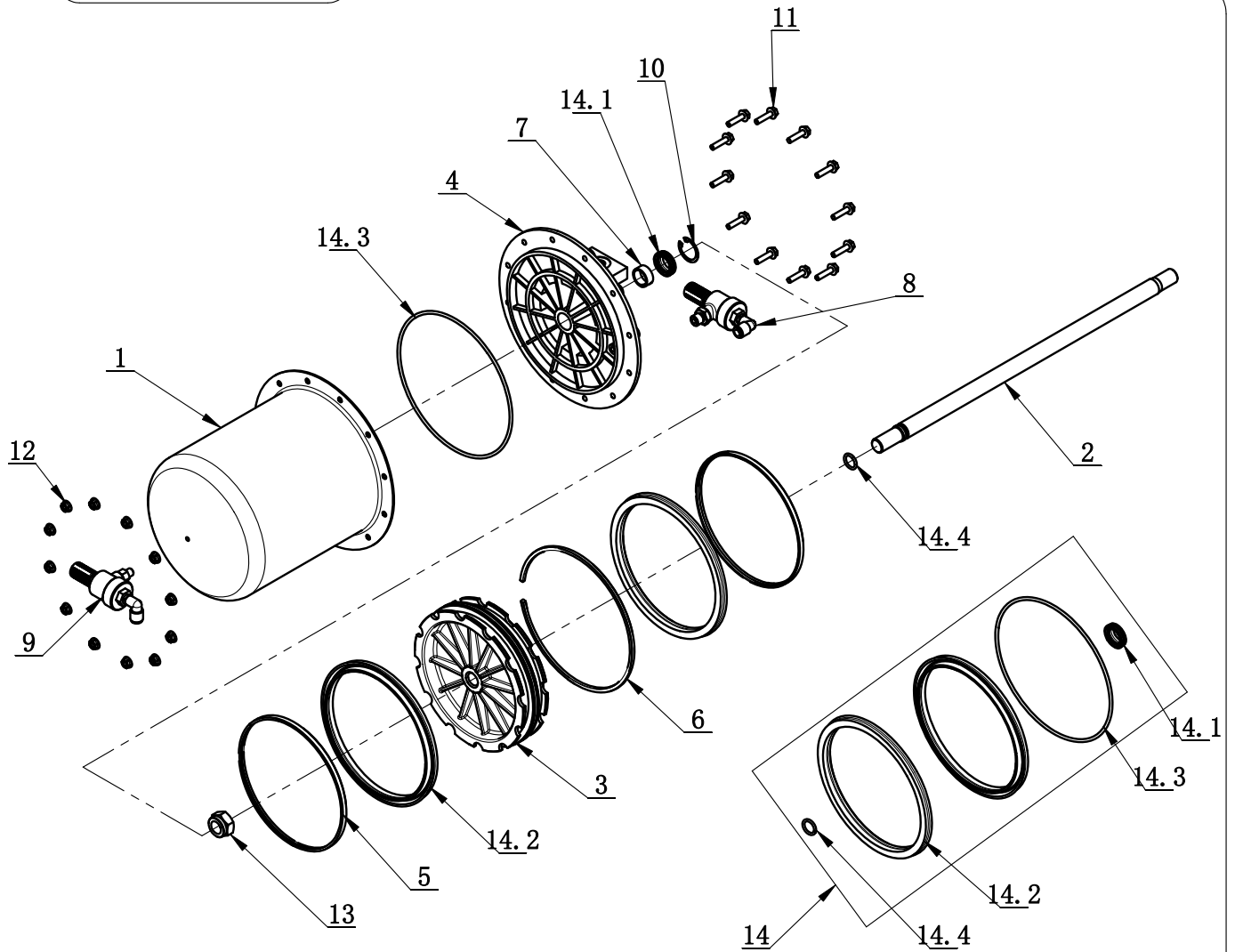
ITEM	PART. No	DESCRIPTION.	QT. Y
1	CT-D-1110001	VALVE BODY	1
2	CT-D-1110003	O-RING	6
3	CT-D-1110004	SPACER	5
4	CT-D-1110005	VALVE CAP	1
5	CT-D-2600001	VALVE ROD	1
6	GB879. 1-4×20	ELASTIC CYLINDRICAL PIN, HEAVY	1
7	GB95-10	FLAT WASHER	1
8	GB845-ST2. 9×13 H C	CROSS PANHEAD TAPPING SCREW	3
9	FPD 8-01	MALE RUN TEE	1
10	FPC 8-01	MALE STRAIGHT	2
11	FSK 01	PLASTIC PARTICLE SILENCER	2

CT-B-C000000



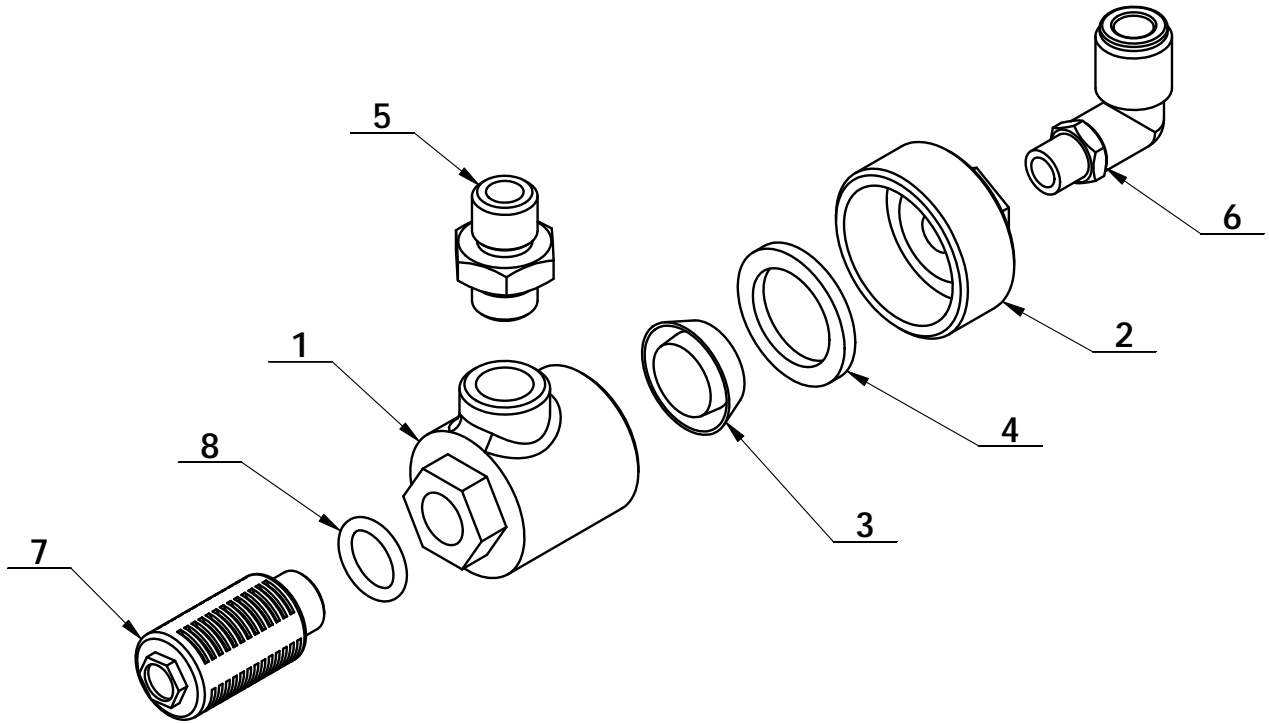
ITEM	PART. No	DESCRIPTION.	QT. Y
1	CT-B-C100000	BEAD BREAKER	1
2	CT-B-A200000	PIN SHAFT	1
3	CT-B-A000001	TURN ROD	1
4	CT-B-A000002	CONNECT ROD	1
5	CT-B-6000003	PAD	1
6	GB93-10	STANDARD SPRING WASHER	1
7	GB5783-M10×20	HEXANGULAR BOLT	1
8	CT-B-2000002	SPRING	1

CT-LS-8300000

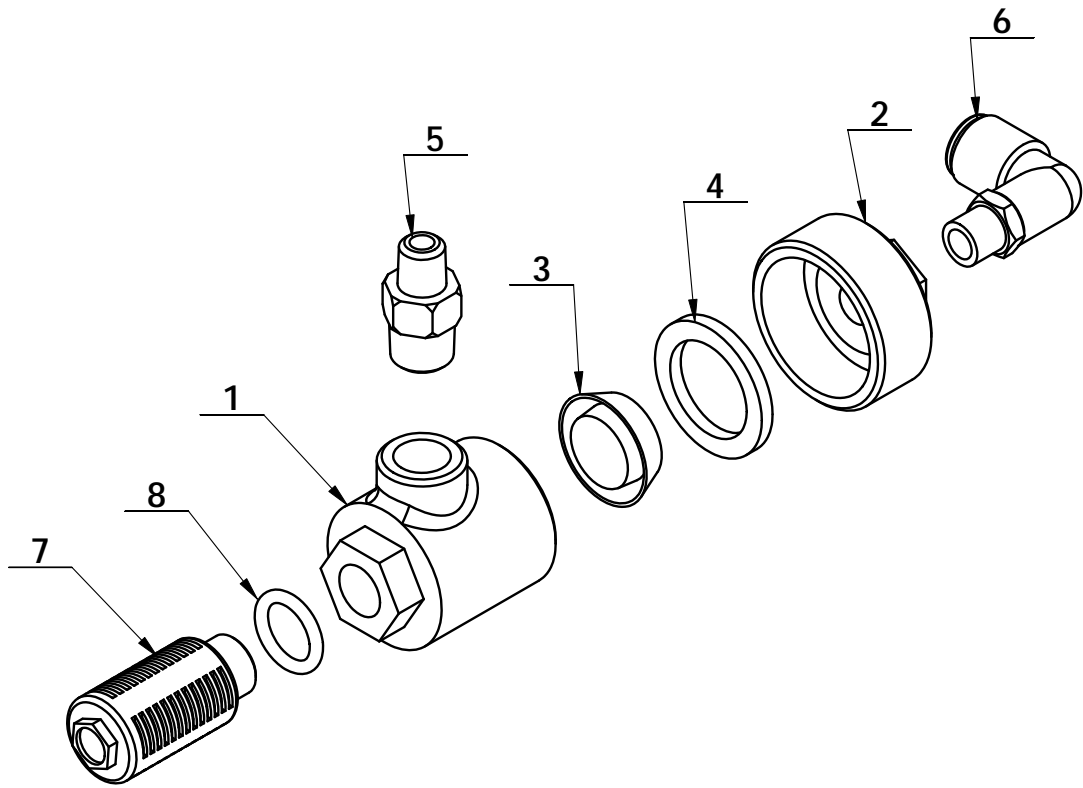


ITEM	PART. No	DESCRIPTION.	QT. Y
1	CT-LS-1200001	CYLINDER BODY	1
2	CT-LS-8100001	CYLINDER PISTON ROD	1
3	CT-LS-1100003	PISTON	1
4	CT-LS-1100004	CYLINDER COVER	1
5	CT-LS-1100006	CLAMP RING	2
6	CT-LS-1100007	PISTION SUPPORT RING	1
7	CT-LS-1100008	GUIDER SPACER	1
8	CT-LS-1310000	QUICK DEFLATE VALVE ON COVER	1
9	CT-LS-1320000	QUICK DEFLATE VALVE ON BODY	1
10	GB893. 2-30	ELASTIC RETAINING RING B-TYPE	1
11	GB5789-AM6×25	HEXA FLANGE BOLT	12
12	GB6177. 1-M6	HEXA FLANGE NUT	12
13	GB889. 2-M18×1.5	NUT M18×1.5	1
14	CT-LS-1110000	CYLINDER SEALING PARTS ASSEMBLY	1
14.1	CT-Y-0160007	SEAL-ROD, CYLNDR	1
14.2	CT-LS-1100009	Y-RING	2
14.3	GB3452. 1-185×3.55-G	O-RING G TYPE	1
14.4	GB3452. 1-15.5×2.65-G	HYDRAULIC-PNEUMATIC RUBBER O-RING G TYPE	1

CT-LS-1310000

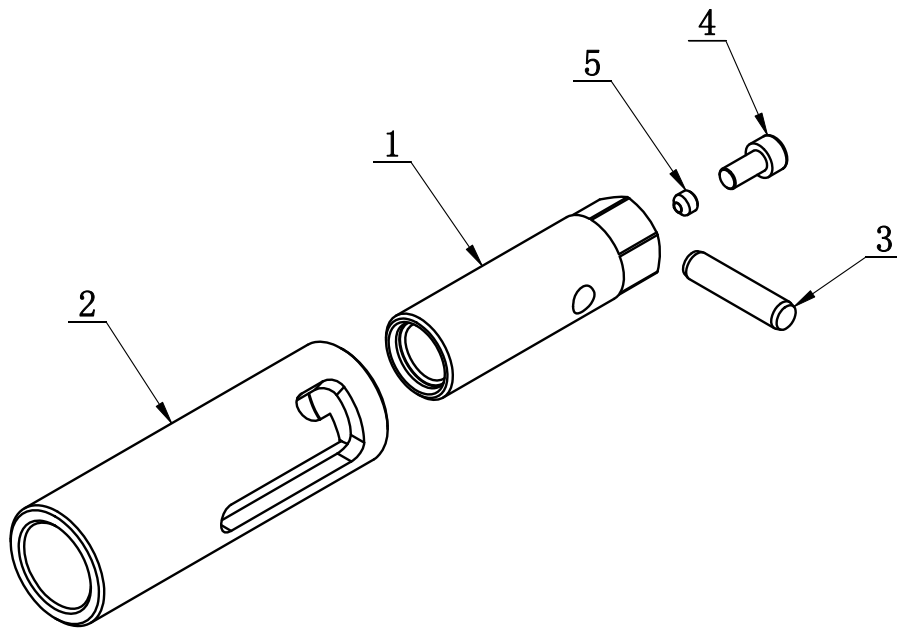


ITEM	PART. No	DESCRIPTION.	QT. Y
1	CT-LS-1310001	LOWER COVER OF QUICK DEFLATE VALVE	1
2	CT-LS-1310002	COVER OF QUICK DEFLATE VALVE	1
3	CT-LS-1310003	PISTON	1
4	CT-LS-1310004	RUBBER WASHER	1
5	CT-LS-1310005	DOUBLE SCREW G1/4	1
6	FPL 8-01	INSERT ELBOW $\Phi 8$, R1/8	1
7	FSK 02	PLASTIC PARTICLE SILENCER	1
8	GB3452. 1-12. 8×2. 65-G	HYDRAULIC-PNEUMATIC RUBBER O-RING G TYPE	1



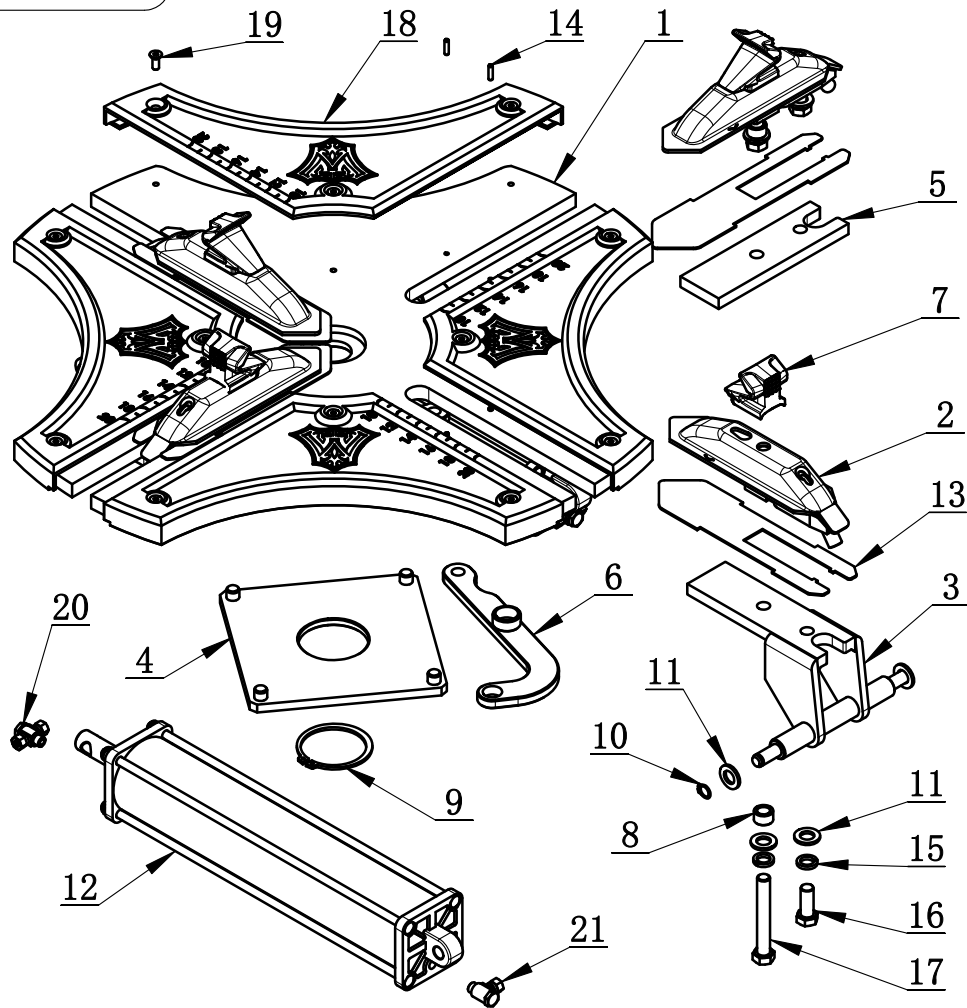
ITEM	PART. No	DESCRIPTION.	QT. Y
1	CT-LS-1310001	LOWER COVER OF QUICK DEFLATE VALVE	1
2	CT-LS-1310002	COVER OF QUICK DEFLATE VALVE	1
3	CT-LS-1310003	PISTON	1
4	CT-LS-1310004	RUBBER WASHER	1
5	CT-K-1100007	FITTING	1
6	FPL 8-01	INSERT ELBOW $\Phi 8$, R1/8	1
7	FSK 02	PLASTIC PARTICLE SILENCER	1
8	GB3452. 1-12. 8 \times 2. 65-G	HYDRAULIC-PNEUMATIC RUBBER O-RING G TYPE	1

C-5B-1400000



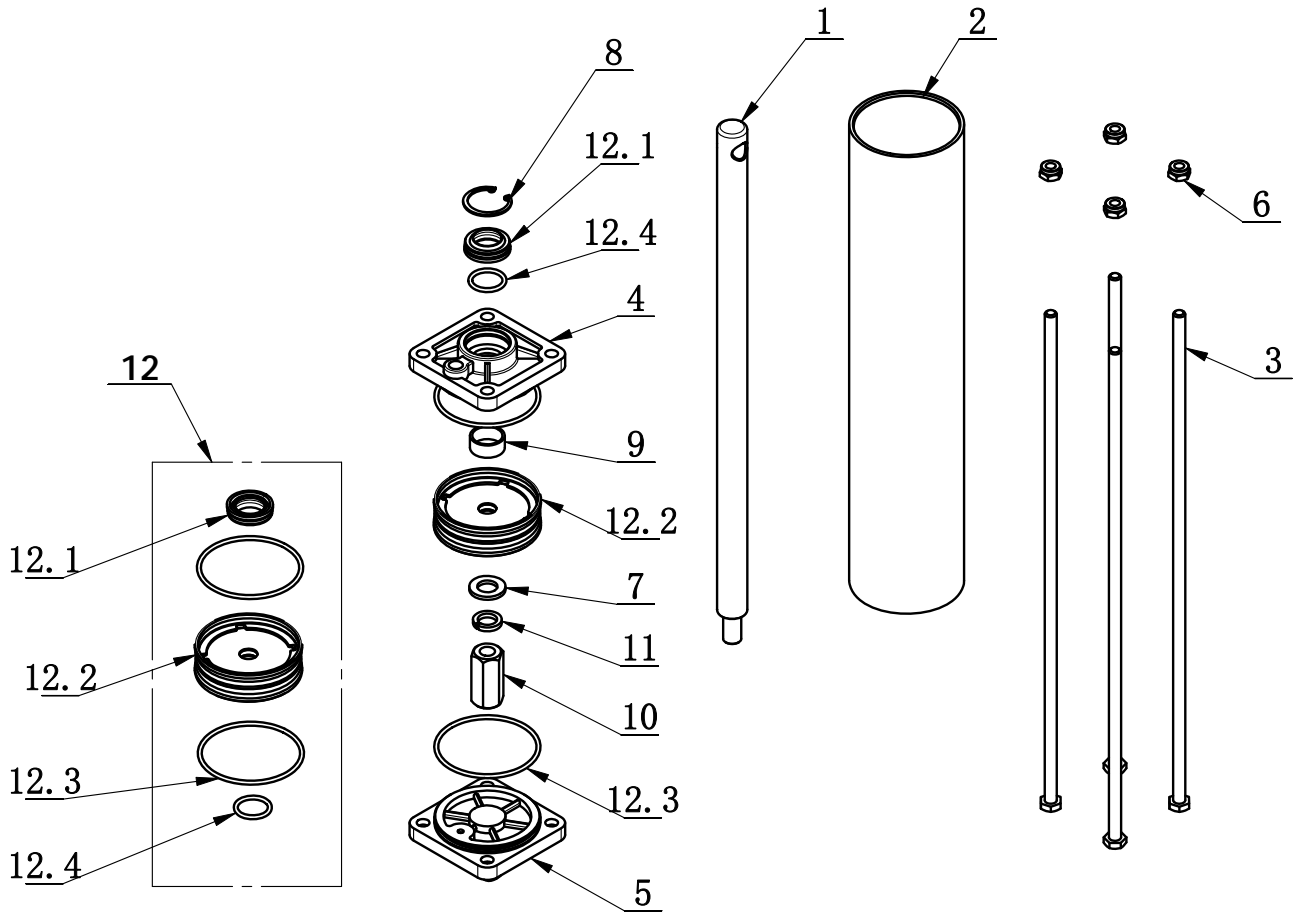
ITEM	PART. No	DESCRIPTION.	QT. Y
1	C-5B-1400001	FIXED AXIS	1
2	C-5B-1400002	REGULATE	1
3	GB119. 1-8×35	CYLINDRICAL PIN	1
4	GB70. 1-M6×12	INNER HEXA CYLINDRICAL SCREW	1
5	GB80-M6×5	INNER HEXA RECESSED TERMINUS SET SCREW	1

CT-Y-2P00000



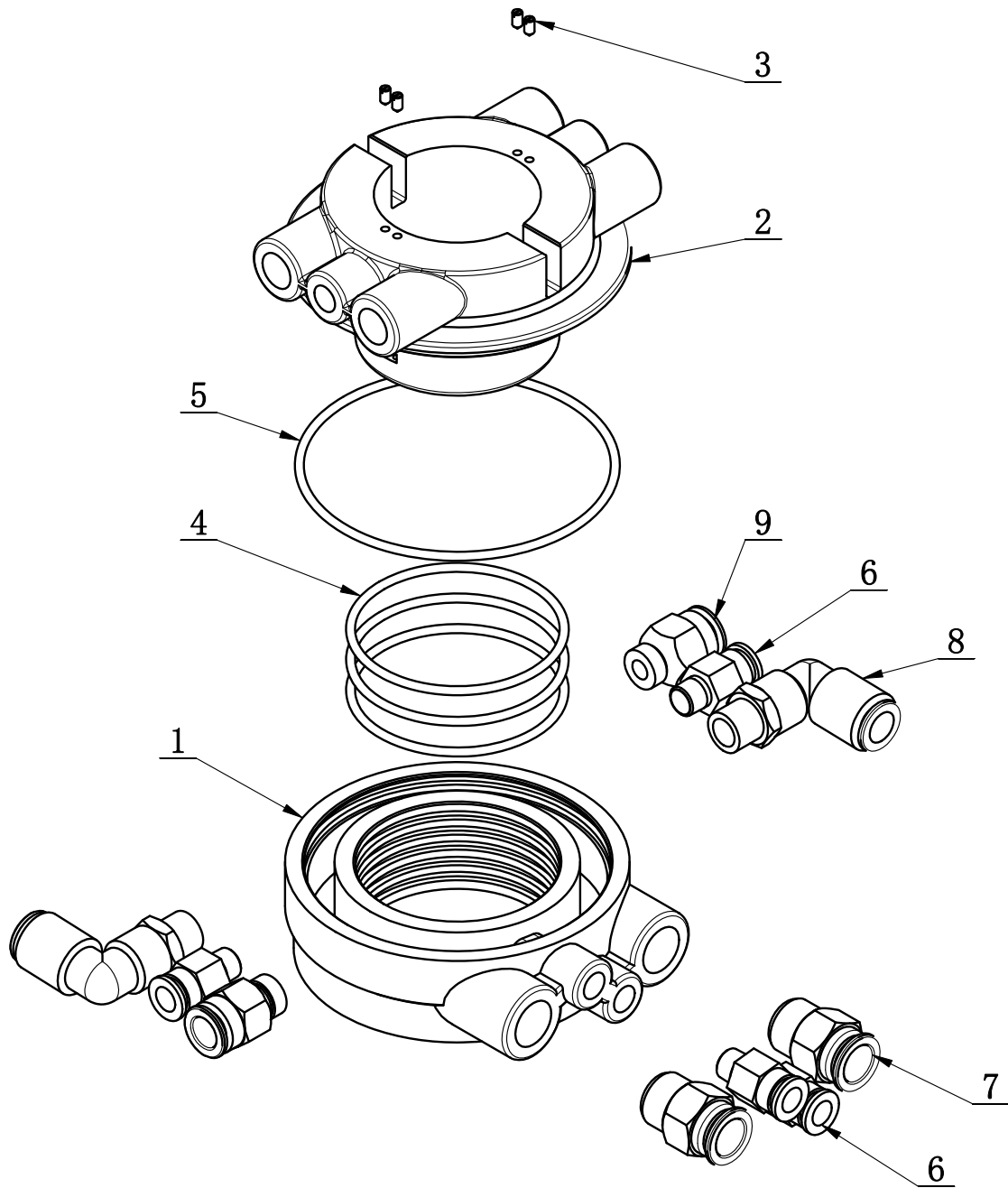
ITEM	PART. No	DESCRIPTION.	QT. Y
1	CT-Y-2P10000	TURNTABLE	1
2	CT-Y-0320000	SLIDE COVER	4
3	CT-Y-1140000	BRACKET-CYLINDER	2
4	CT-Y-0150000	SQUARE TURNTABLE	1
5	CT-Y-2100001	BOTTOM CHUTE PRESS PLATE	2
6	CT-Y-1150000	CONNECTION PLATE	4
7	CT-Y-0100002	CLAMP	4
8	CT-Y-0100003	SPACER	4
9	GB894. 1-65	SHAFT ELATIC BIG RETAINING RING A-TYPE	1
10	GB894. 1-12	SHAFT ELATIC BIG RETAINING RING A-TYPE	4
11	GB95-12	FLAT WASHER	12
12	CT-Y-1430000	CYLINDER ASSEMBLY	2
13	CT-Y-1400001	WEARABLE WASHER	4
14	GB879. 1-4×16	ELASTIC CYLINDRICAL PIN, HEAVY	8
15	GB93-12	STANDARD SPRING WASHER	8
16	GB5783-M12×30	HEXANGULAR BOLT	4
17	GB5782-M12×85	HEXANGULAR BOLT	4
18	CT-Y-2P00001	PROTECTIVE COVER	4
19	GB70. 3-M6×16	INNER COUNTER SUNK SCREW	12
20	CT-Y-0100008	HINGE ELBOW Φ8 G1/8	2
21	CT-Y-0100006	HINGE ELBOW Φ8 G1/8	2

CT-Y-1430000

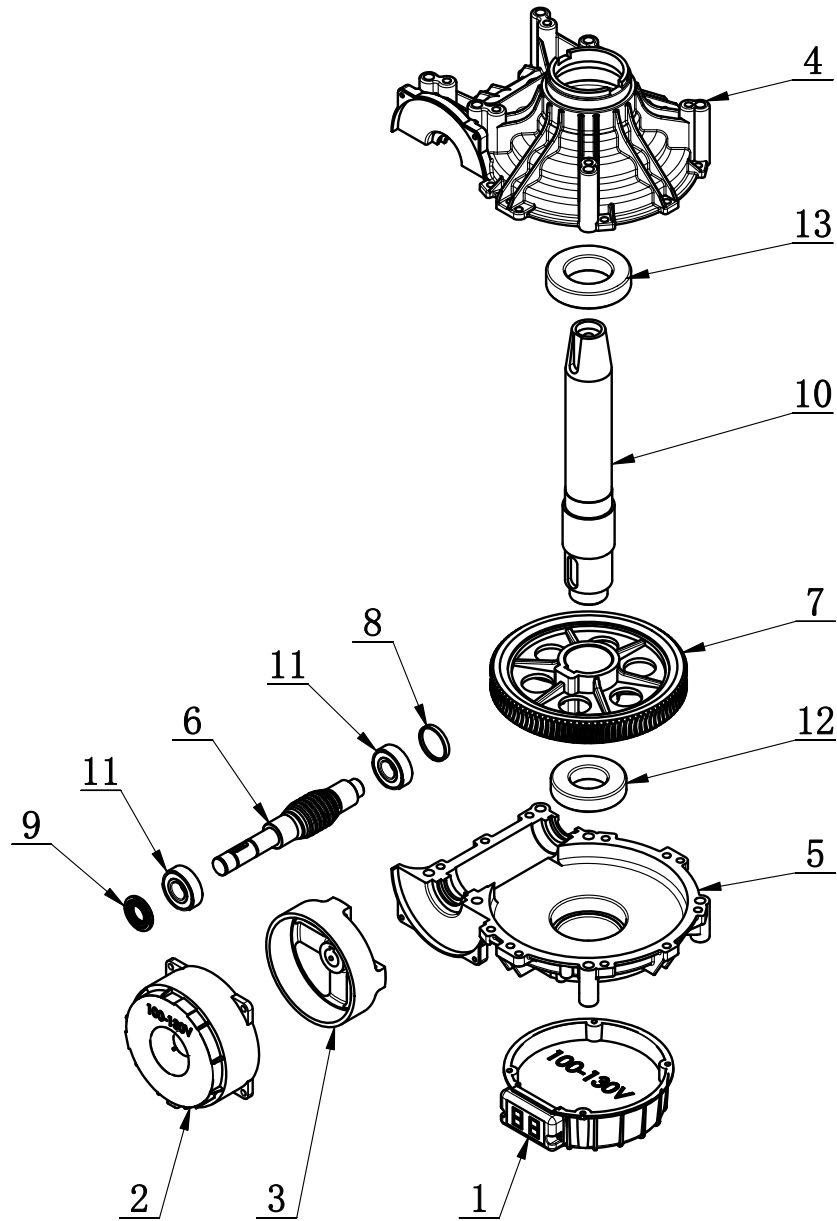


ITEM	PART. No	DESCRIPTION.	QT. Y
1	CT-Y-1120001	SHAFT-CYLNDR	1
2	CT-Y-1120002	SLEEVE-CYLNDR 70	1
3	CT-Y-1120003	BOLT	4
4	CT-Y-0160002	FRONT COVER	1
5	CT-Y-0160003	REAR COVER	1
6	GB889. 1-M8	1-TYPE PREVAILING TORQUE TYPE HEXAGON LOCK NUT	4
7	GB95-12	FLAT WASHER	1
8	GB893. 1-30	ELASTIC RETAINING RING A-TYPE	1
9	GB12613-23×20×10	BEARING-SLIDE	1
10	CT-Y-1430001	AN ELONGATED NUT	1
11	GB93-12	STANDARD SPRING WASHER	1
12	CT-Y-1121000	CYLINDER SEALING PARTS ASSEMBLY	1
12.1	CT-Y-0160007	SEAL-ROD, CYLNDR	1
12.2	CT-Y-0161000	PISTON	1
12.3	GB3452. 1-65×2. 65-G	HYDRAULIC-PNEUMATIC RUBBER O-RING G TYPE	2
12.4	GB3452. 1-20×2. 65-G	HYDRAULIC-PNEUMATIC RUBBER O-RING G TYPE	1

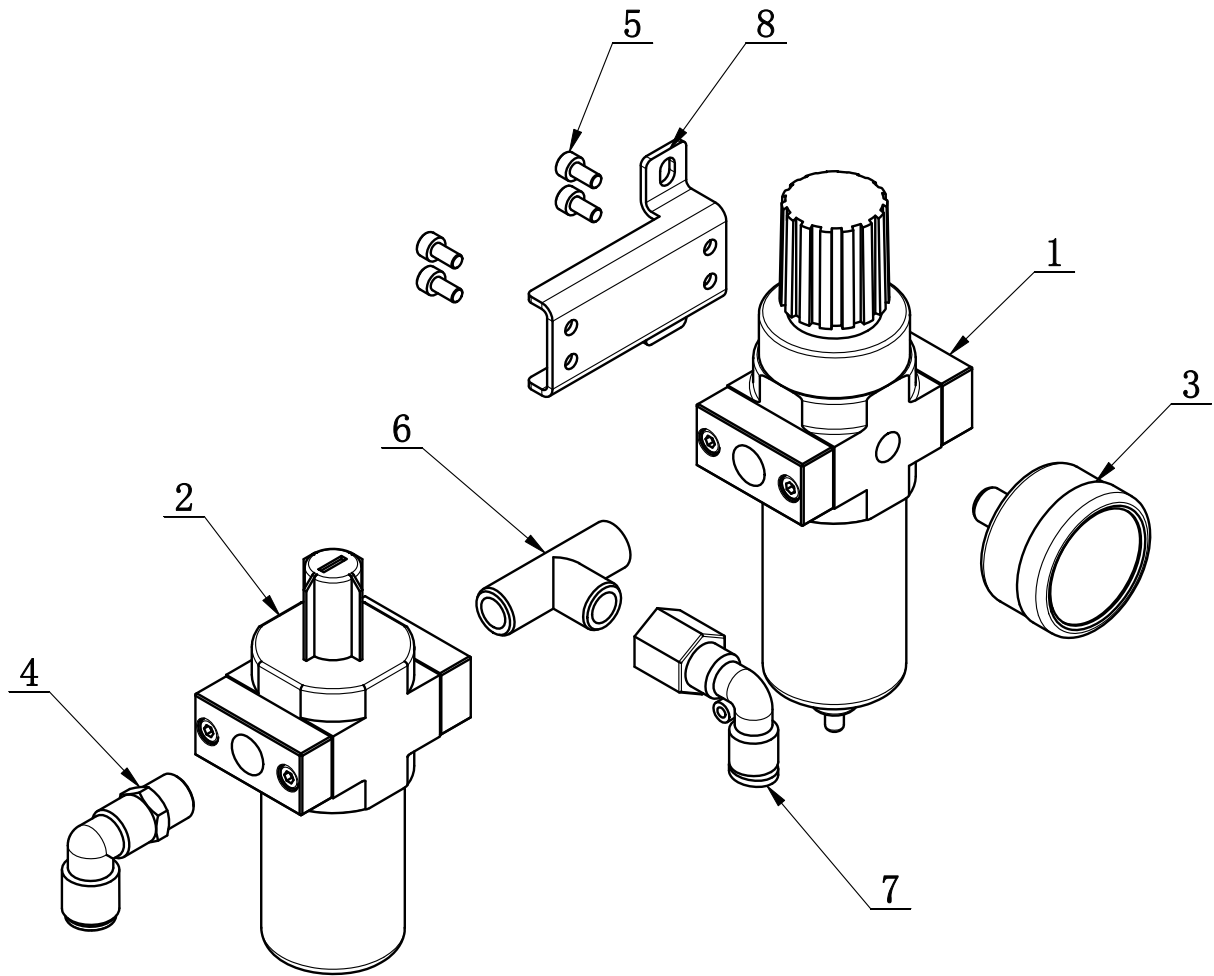
CT-Q-4000000



ITEM	PART. No	DESCRIPTION.	QT. Y
1	CT-Q-2000001	FIXED BODY OF AIR GUIDE	1
2	CT-Q-2000002	ROTATING BODY OF AIR GUIDER	1
3	GB71-M3×6	SLOTTED CONIC HEAD SET SCREW	4
4	GB3452. 1-60×2. 65-G	HYDRAULIC-PNEUMATIC RUBBER O-RING G TYPE	3
5	GB3452. 1-90×2. 65-G	HYDRAULIC-PNEUMATIC RUBBER O-RING G TYPE	1
6	FPC 8-01	MALE STRAIGHT	4
7	FPC 12-03	MALE STRAIGHT	2
8	FPL 10-02	MALE ELBOW	2
9	FPC 10-02	MALE STRAIGHT	2

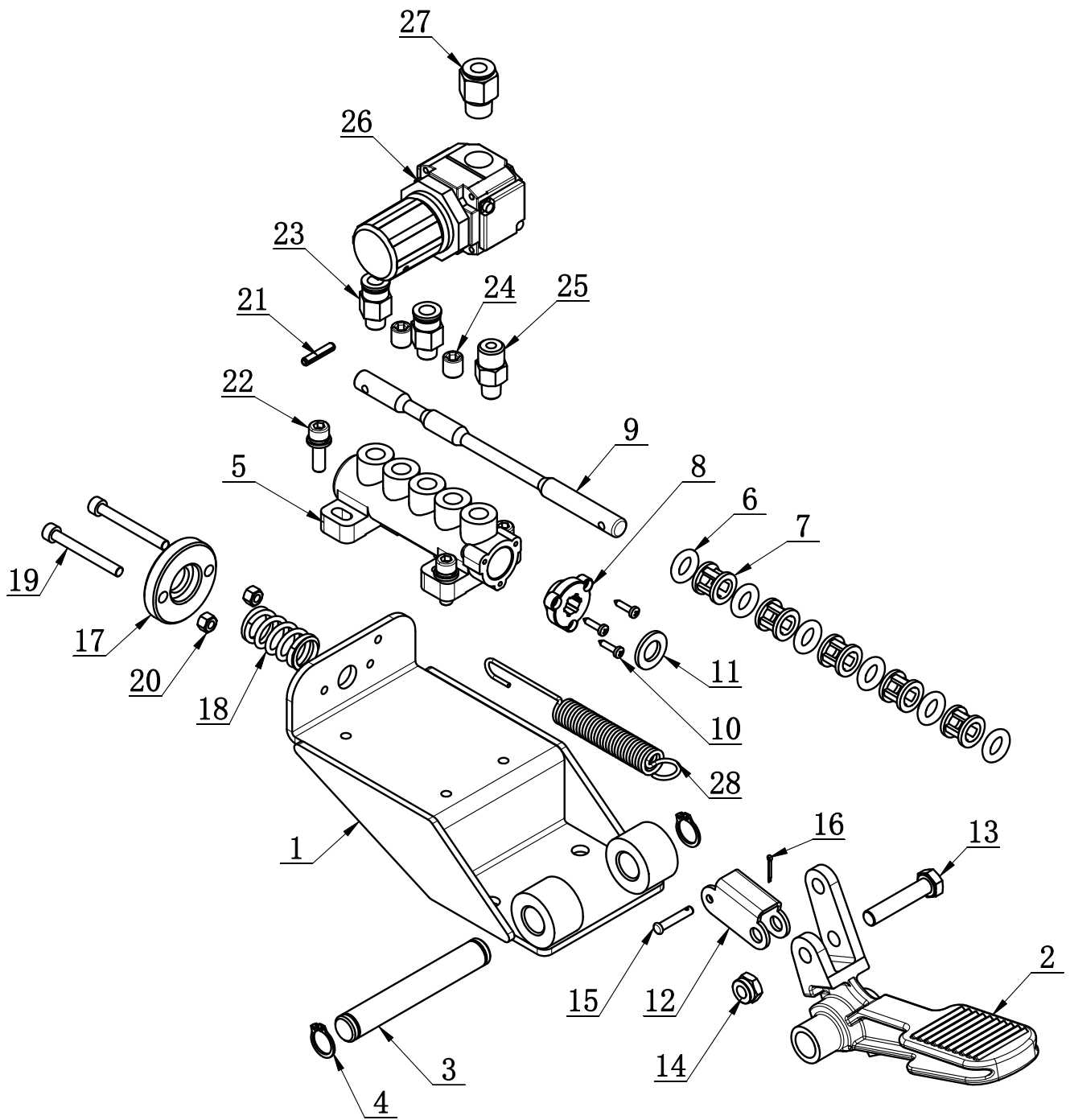


ITEM	PART. No	DESCRIPTION.	QT. Y
1	CT-JM-1100004	CONTROL CIRCUIT ASSEMBLY (100-130V)	1
2	CT-JM-1100006	MOTOR STATOR (100-130V)	1
3	CT-JM-1100007	MOTOR ROTOR	1
4	CT-JM-1100008	GEARBOX UPPER COVER	1
5	CT-JM-1100009	GEARBOX LOWER COVER	1
6	CT-JM-1100010	WORM	1
7	CT-JM-1100011	WORM GEAR	1
8	CT-JM-1100012	OIL SEAL	1
9	CT-JM-1100013	SEALED RING	1
10	CT-JM-1100014	WORM GEAR SHAFT	1
11	GB276-6204	DEEP GROOVE BALL BEARINGS	2
12	GB276-6208	DEEP GROOVE BALL BEARINGS	1
13	GB276-6210	DEEP GROOVE BALL BEARINGS	1



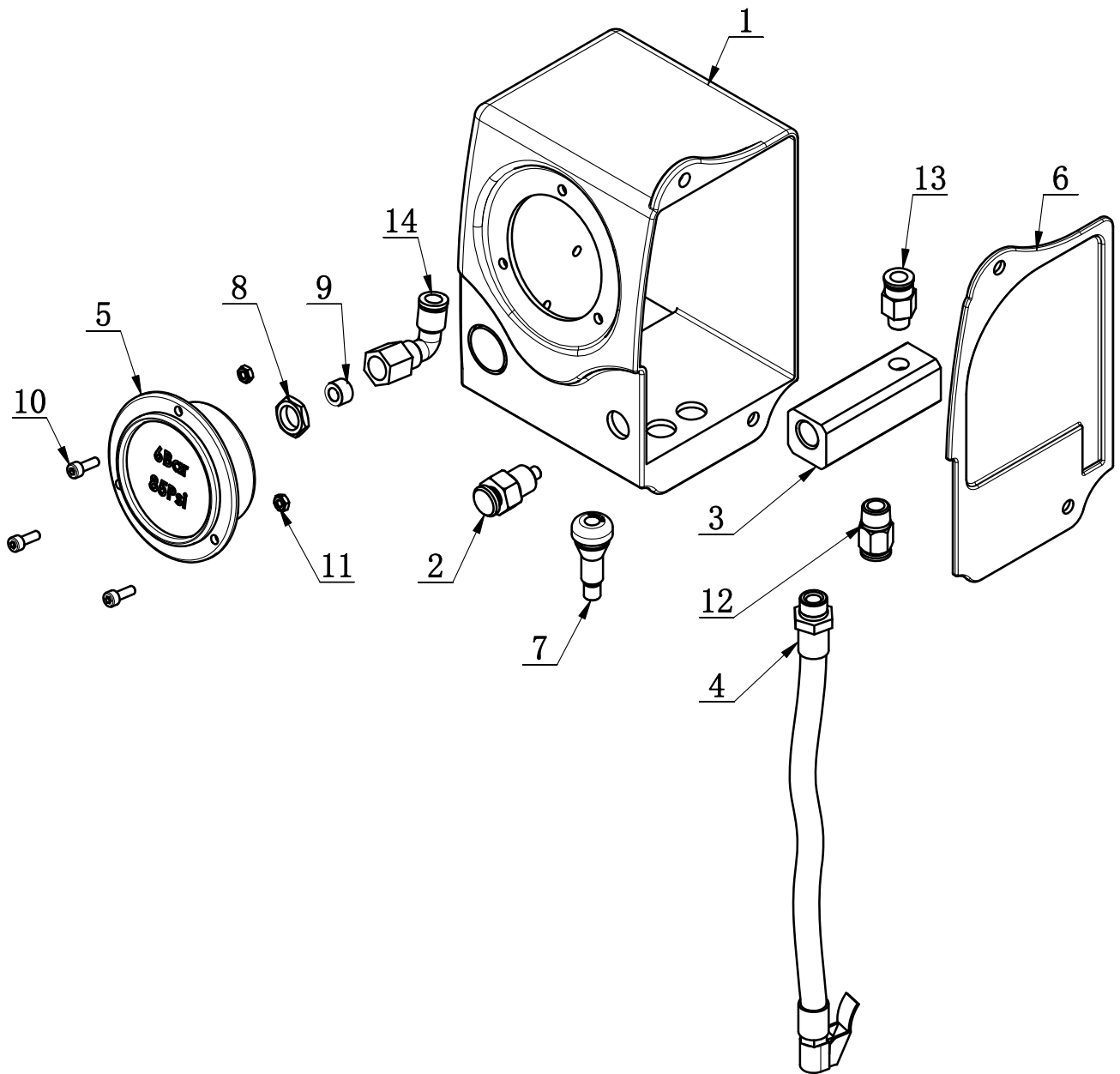
ITEM	PART. No	DESCRIPTION.	QT. Y
1	CT-F-3000010	WATER CPU	1
2	CT-F-3000020	OIL CPU	1
3	CT-F-2000003	PRESSURE GAUGE	1
4	FPL 8-02	INSERT ELBOW $\Phi 8$, R1/4	1
5	GB70. 1-M4 \times 8	INNER HEXA CYLINDRICAL SCREW	4
6	PEH 02-02	FAMALE UNION TEE	1
7	FPLF8-02	INSERT ELBOW $\phi 8$, R1/4	1
8	CT-F-2000009	AIR REGULATOR BRACKET	1

CT-K-1C00000



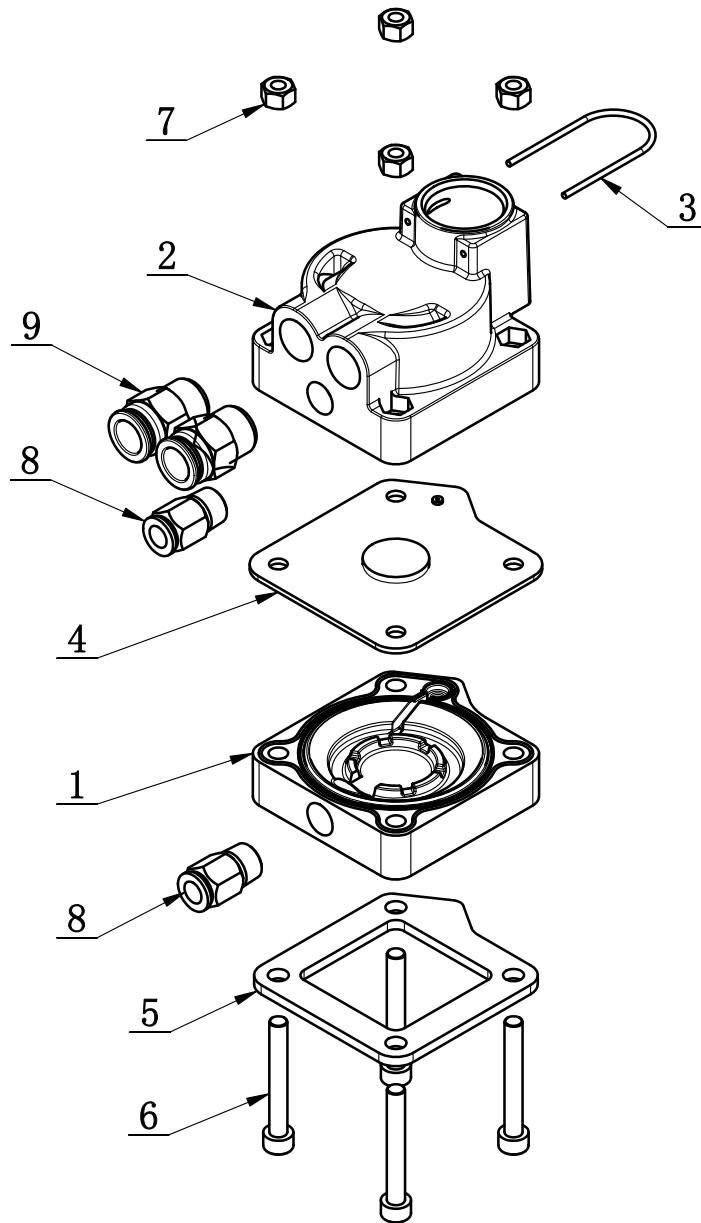
ITEM	PART. No	DESCRIPTION.	QT. Y
1	CT-K-1A10000	PEDAL BRACKET	1
2	CT-D-9100001	PEDAL	1
3	CT-K-1100006	SHAFT	1
4	GB894. 1-14	SHAFT ELATIC BIG RETAINING RING A-TYPE	2
5	CT-D-1110001	VALVE BODY	1
6	CT-K-1100009	O-RING	6
7	CT-D-1110004	SPACER	5
8	CT-D-1110005	VALVE CAP	1
9	CT-K-1A00002	VALVE STEM	1
10	GB845-ST2. 9×13 H C	CROSS PANHEAD TAPPING SCREW	3
11	GB95-10	FLAT WASHER	1
12	CT-D-5100005	CONNECTION PART	1
13	GB5783-M8×40	HEXANGULAR BOLT	1
14	GB889. 1-M8	1-TYPE PREVAILING TORQUE TYPE HEXAGON LOCK NUT	1
15	GB882-4×22	PIN SHAFT	1
16	GB91-1. 6×10	SLOTTED PIN	1
17	CT-K-1100002	MOVABLE PLATE	1
18	CT-K-1100003	SPRING	1
19	GB70. 1-M5×45	INNER HEXA CYLINDRICAL SCREW	2
20	GB41-M5	HEXANGULAR NUT	2
21	GB879. 1-4×20	ELASTIC CYLINDRICAL PIN, HEAVY	1
22	GB9074-M6×20	COMBINATION SCREW	3
23	FPC 8-01	MALE STRAIGHT	2
24	JB / ZQ4447-1997-G1 / 8×10	SCREWS PLUG G1/8×10	2
25	CT-K-1100007	FITTING	1
26	AR20-01	PRESSURE ADJUST VALVE	1
27	FPC 8-02	MALE STRAIGHT	1
28	CT-K-1A00001	SPRING	1

CT-K-3100000



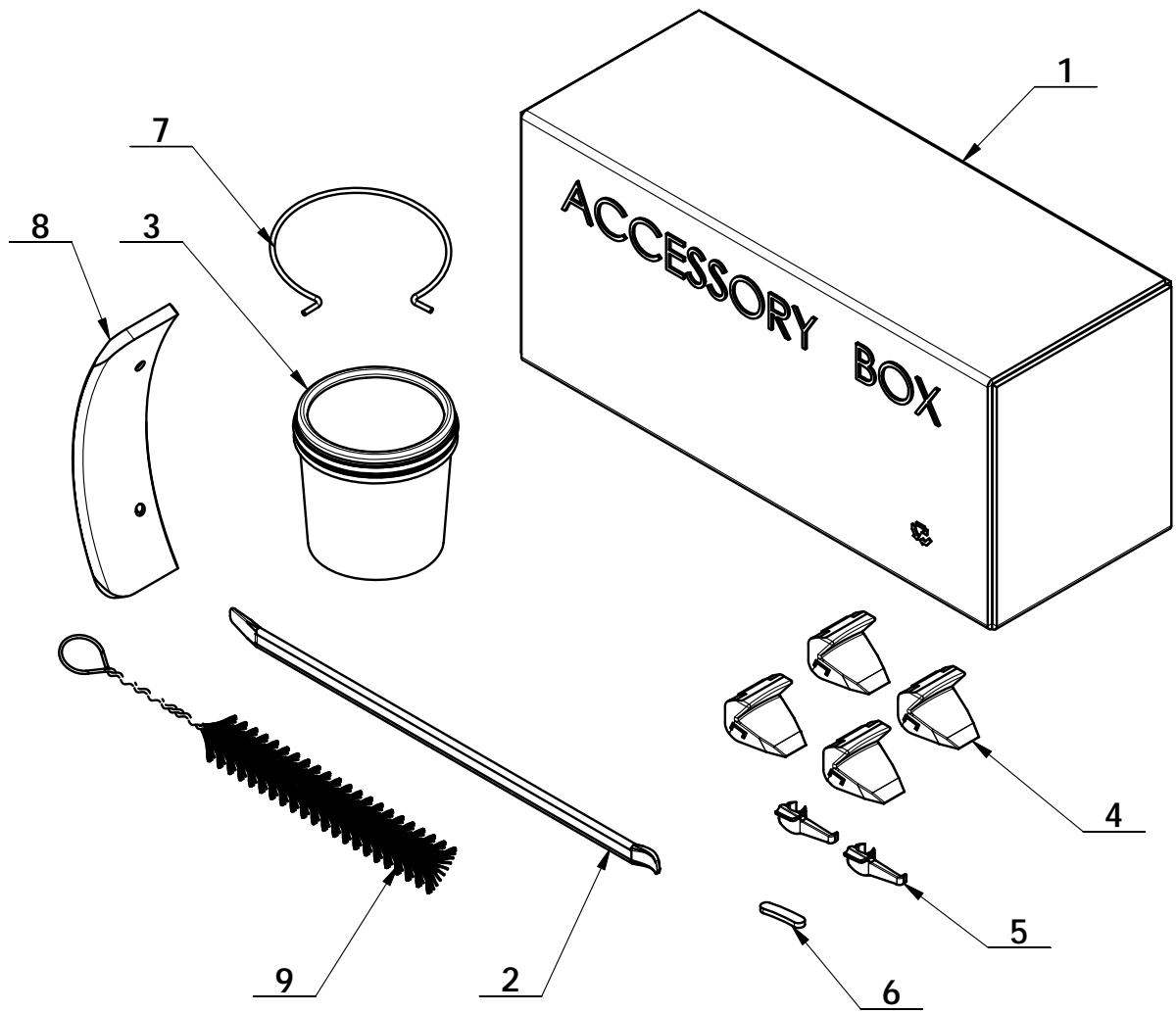
ITEM	PART. No	DESCRIPTION.	QT. Y
1	CT-K-3100001	PRESSURE GAUGE COVER	1
2	CT-K-3110000	EXHAUST VALVE ASSEMBLY	1
3	CT-K-3120000	AIR DISTRIBUTING VALVE	1
4	CT-K-3100003	INFLATING HOSE	1
5	CT-K-3100004	PRESSURE GAUGE	1
6	CT-K-3100005	COVER	1
7	CT-K-3100006	AIR VALVE	1
8	C-54-1000025	LOCKNUT	1
9	C-54-1000027	JOINT SEALING GASKET	1
10	GB70. 1-M4×12	INNER HEXA CYLINDRICAL SCREW	3
11	GB6170-M4	HEXANGULAR NUT 1-TYPE	3
12	FPC 8-02	MALE STRAIGHT	1
13	FPC 8-01	MALE STRAIGHT	1
14	FPLF 8-02	FEMALE ELBOW	1

CT-K-220000S



ITEM	PART. No	DESCRIPTION.	QT. Y
1	CT-K-2200004	CONTROL COVER	1
2	CT-K-2200005	EXHAUST COVER	1
3	CT-K-2200006	CONNECTING PIN	1
4	CT-K-2210000	PANEL	1
5	CT-K-2200003	WASHER	1
6	GB70. 1-M6×45	INNER HEXA CYLINDRICAL SCREW	4
7	GB41-M6	HEXANGULAR NUT	4
8	FPC 8-02	MALE STRAIGHT	2
9	FPC 12-03	MALE STRAIGHT	2

C-54-8000000-005



ITEM	PART. No	DESCRIPTION.	QT. Y
1	C-54-8000002	ACCESSORY BOX	1
2	C-54-8000003	20INCH CROWBAR	1
3	C-54-8100000	GREASE CONTAINER	1
4	C-54-8000005	CLAMP PROTECTION COVER	4
5	C-54-1300014	SHEATH	2
6	C-54-8000007	TOOL HEAF TAIL WASHER	1
7	C-54-8000004	BRACKET	1
8	C-90-1000013	COVER	1
9	C-54-8000014	LUBE BRUSH	1